

Single-line terminal blocks ZM... PN-EN 60947-7-1

Application

Terminal blocks of ZM family are characterized by modern design and a wide range of accessories. They have protection level IP20.

Terminal blocks are mainly intended for connecting copper power cables, ensuring electrical and mechanical reliability and stability.

The terminals design allows snap mounting on 3 rail types TS35, TS32, TS15.

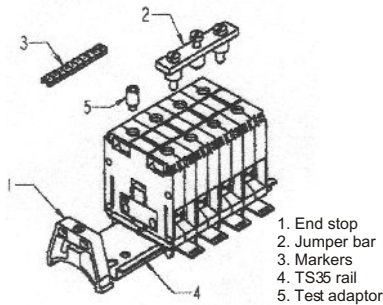
Connecting of terminal blocks

Jumper bars which comprise a bar and screws with sleeves are used for connecting 2, 3 or 5 terminals. Insulating clearances are maintained.

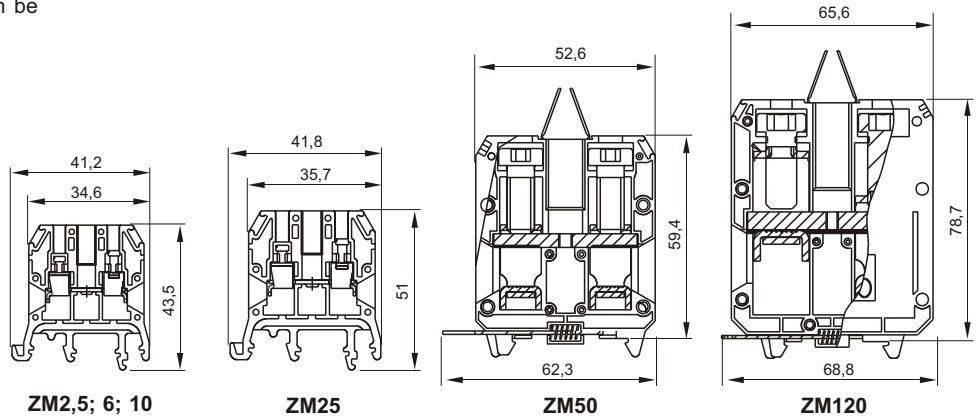
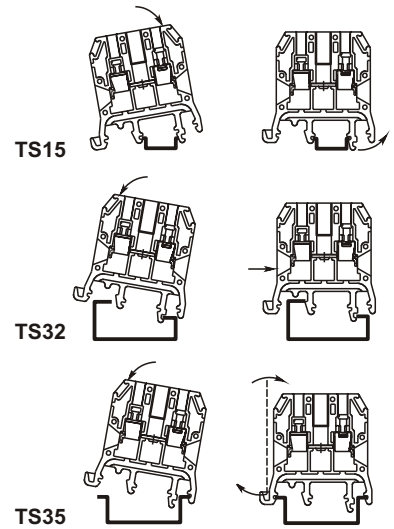
The number of connected terminals can be increased by joining the jumpers.

Test adaptors

Test adaptors allow easier access of measuring device plug to current path of the terminal. The adaptors are mounted similarly to jumper bars. The jumper and the test adaptor can also be mounted at the same terminal.



Mounting and removing of terminals ZM2,5; ZM6; ZM10;



Type	ZM2,5	ZM6	ZM10	ZM25	ZM50	ZM120
Colour: grey	ZM2,5	ZM6	ZM10	ZM25	ZM50	ZM120
red	ZM2,5/c	ZM6/c	ZM10/c	ZM25/c	ZM50/c	ZM120/c
yellow	ZM2,5/g	ZM6/g	ZM10/g	ZM25/g	ZM50/g	ZM120/g
green	ZM2,5/z	ZM6/z	ZM10/z	ZM25/z	ZM50/z	ZM120/z
blue	ZM2,5/n	ZM6/n	ZM10/n	ZM25/n	ZM50/n	ZM120/n
yellow-green					ZM50/gz	ZM120/gz
Width [mm]	6,2	6,2	7,5	10,9	18,2	23,8
Stripping length [mm]	8	9	10,5	10	14	20
Wire section: solid [mm ²]	0,35...2,5	0,35...6	0,35...10	1,5...25	70	120
stranded	0,5...2,5	0,5...4	0,5...6	2,5...16	50	95
Rated insulation voltage [V]	800	800	800	800	800	800
Rated current [A]	26	34 (4mm ²) 46 (6mm ²)	46 (6mm ²) 61 (10mm ²)	101	150	270
Accessories: End cover	PZM	PZM	PZM	PZM25	-	-
End stop on TS35 rail	TZM35	TZM35	TZM35	TZM35	TZM35	TZM35
Jumper: 2 terminals	P6/2	P6/2	P10/2	P25/2		
3 terminals	P6/3	P6/3	P10/3	P25/3	P50/3	P120/3
5 terminals	P6/5	P6/5	P10/5	P25/5		
Test adaptor	NM10	NM10	NM10	NM25	NM50	NM120
Marking	DK5	DK5	DK5	DK6	DK6	DK6
Mounting rail	TS35 TS32 TS15	TS35 TS32 TS15	TS35 TS32 TS15	TS35 TS32	TS35	TS35
Packing	40	40	36	28	18	7

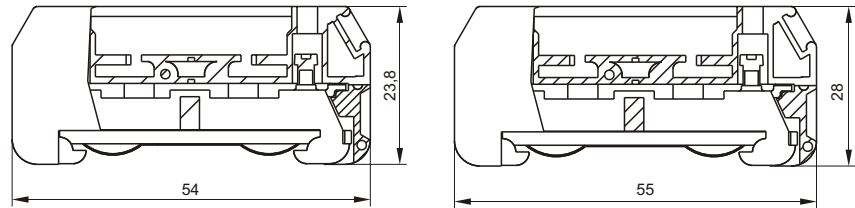
Terminal blocks for protective wire, type ZMO... PN-EN 60947-7-2

Application

For a protective wire - entry and exit indicated by an arrow in the diagram. Terminals of this type ensure electric connection with the rail TS35.

Mounting on TS35 rail

Push one side of the terminal on the support rail to the stop. Then insert the other side and slightly pull backwards. The terminal will snap on its position.

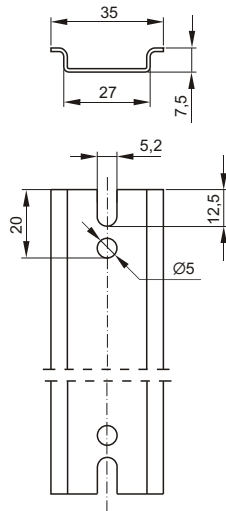


Type	ZMO2,5	ZMO6	ZMO16
Colour:	yellow-green	yellow-green	yellow-green
Width [mm]	6,8	8	11,2
Stripping length [mm]	12	12	12
Wire section [mm ²]	2,5	6	16
Rated insulation voltage [V]	630	630	630
Nominal current [A]	26	46	61
AccessoriesMarker	DK5	DK5	DK5
Mounting rail	TS35	TS35	TS35
Packing	32	30	15

Accessories

Support rail

DIN type TS35



Type	Length [mm]
TS35/020	200
TS35/030	300
TS35/050	500
TS35/100	1000

Note: other rail dimensions upon request

DK Markers

For single or consecutive marking of terminals. Material: PVC.

Note: DK5 and DK6 markers are delivered in various alphanumeric combinations.

Available letterings: R, S, T, U, V, W, X, Y, Z, L1, L2, L3, 0, +, -, PEN, N, PE, , 0, 1, 2, ...9.

Ordering

Example1: DK5 1-10x25 (25 strips with numbers from 1 to 10)

Type	A [mm]	B [mm]	L [mm]
DK5	3,45	6	4,5
DK6	3,45	6	5,8

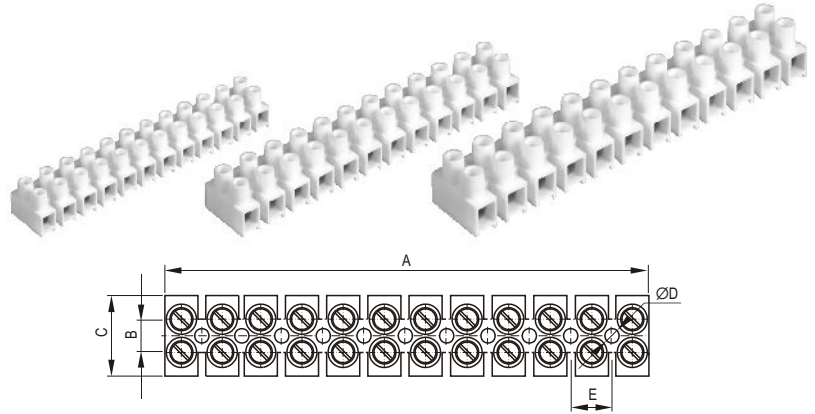


12-line terminal strips

The body of the terminal strip is made of thermoplastic Poliamid 6 which has very good electrical and mechanical characteristic.

The body houses 12 screw clamps. The screws ensure reliability of wire connection.

Single poles can be cut or sawn off. Copper and aluminium wires can be connected to the clamps (for aluminium wires we recommend terminals strips fitted with clamping washers).



Protection level IP 20 acc. to EN 60529
 Compliant with: EN 60947-7-1,
 EN 60998-1, EN 60998-2-1, EN 60999
 Tightening torque for screw clamps
 acc. to EN 60947-7-1

Type	Dimensions [mm]					Height [mm]	Rated voltage [V]	Rated current [A]	Wire section [mm ²]
	A	B	C	D	E				
PS 1,5	94,6	6,4	16	2,6	8,1	13,7	400	12	1,5
PS 2,5	94,6	6,4	16	2,6	8,1	13,7	400	16	2,5
PS 4	116,6	8	19	3,2	10	17,2	400	32	4
PS 6	134,5	10	23	3,3	11,5	19	400	40	6
PS 10	136	10	21	3,3	11,5	19	400	57	10

Colours of terminal strips – standard white, other colours upon request: blue, black, yellow.