

Front III SK10-1410 for assemblies P...(lockable)



R02



R06

Ordering code

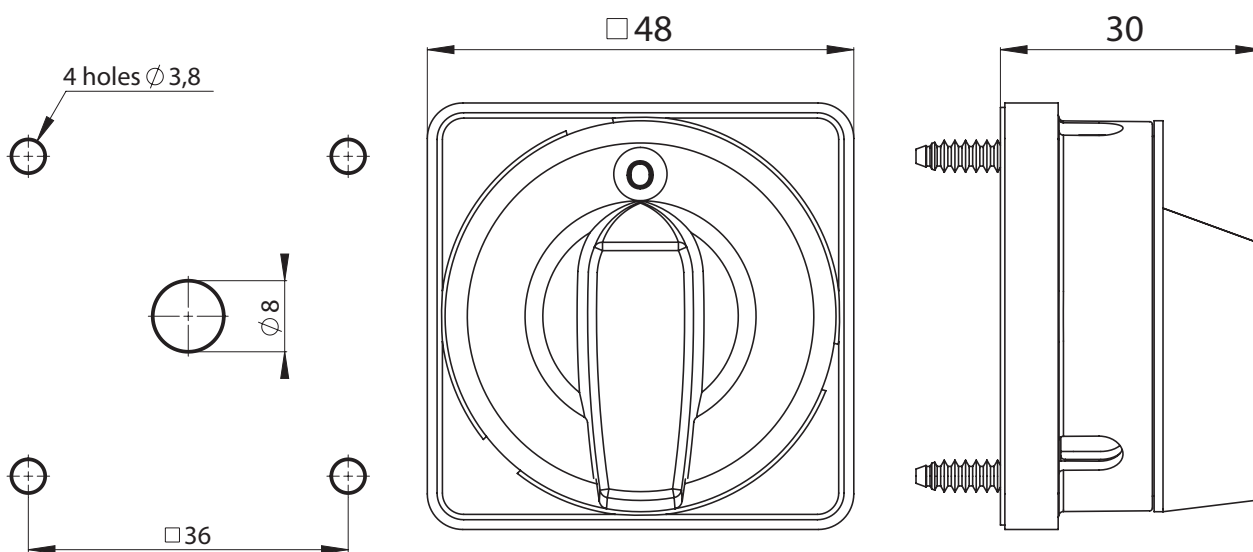
SK10-1410\

Front colour

R02 black legend plate, black knob

R06 yellow legend plate, red knob

Dimensions



Spacing of fixing holes 36 mmx36 mm (4 tapping screws)