

Front III SK25-1409 for assemblies P...(lockable)



R01



R05

Ordering code

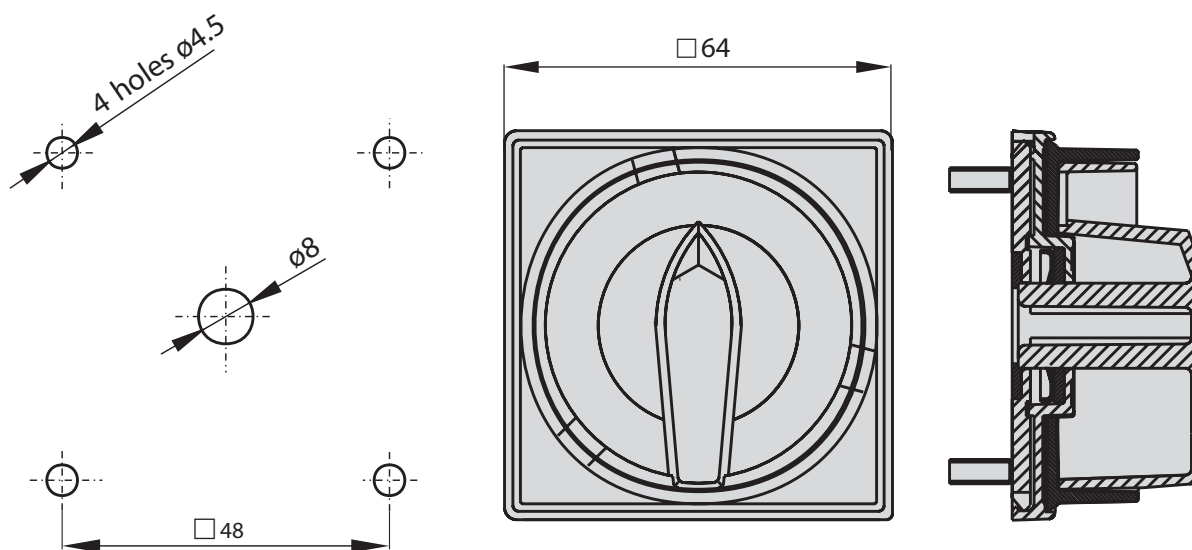
SK25-1409\

Front colour

R01 black legend plate, black knob

R05 yellow legend plate, red knob

Dimensions



Spacing of fixing holes 48 mm×48 mm (4 screws for plastics 4.1 x 14.5)