

Front I SK10-1406 for assemblies P...



R02



R06

Ordering code

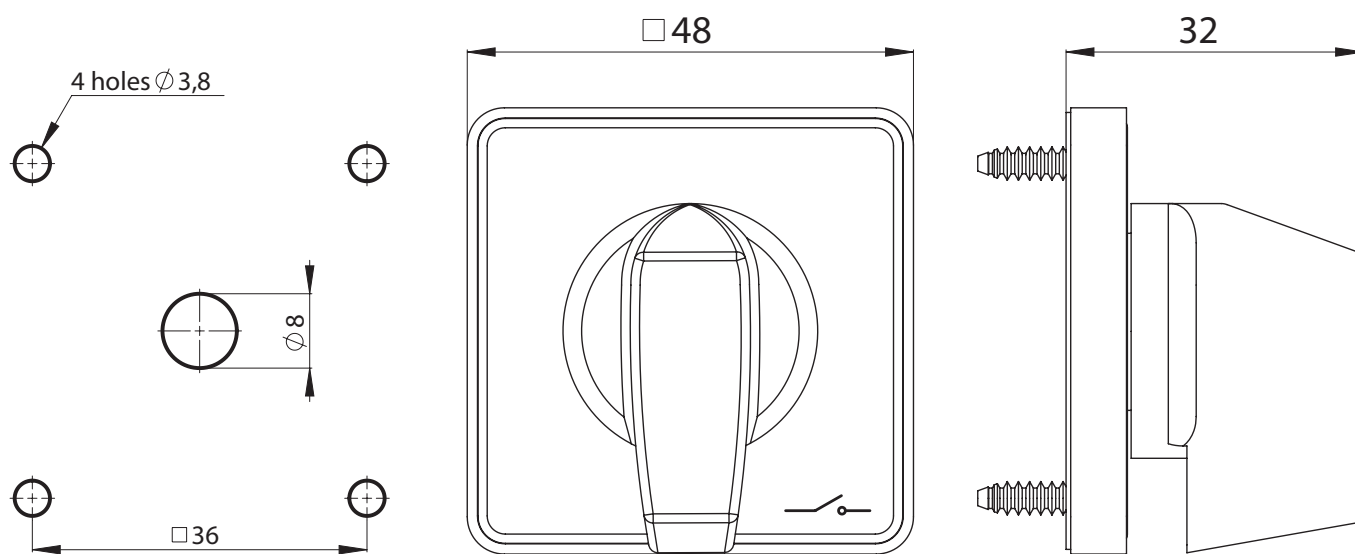
SK10-1406\

Front colour

R02 black legend plate, black knob

R06 yellow legend plate, red knob

Dimensions



Spacing of fixing holes 36 mmx36 mm (4 tapping screws)