

Front I SK10-1406 for assemblies P... and BS...



R01



R05

Ordering code

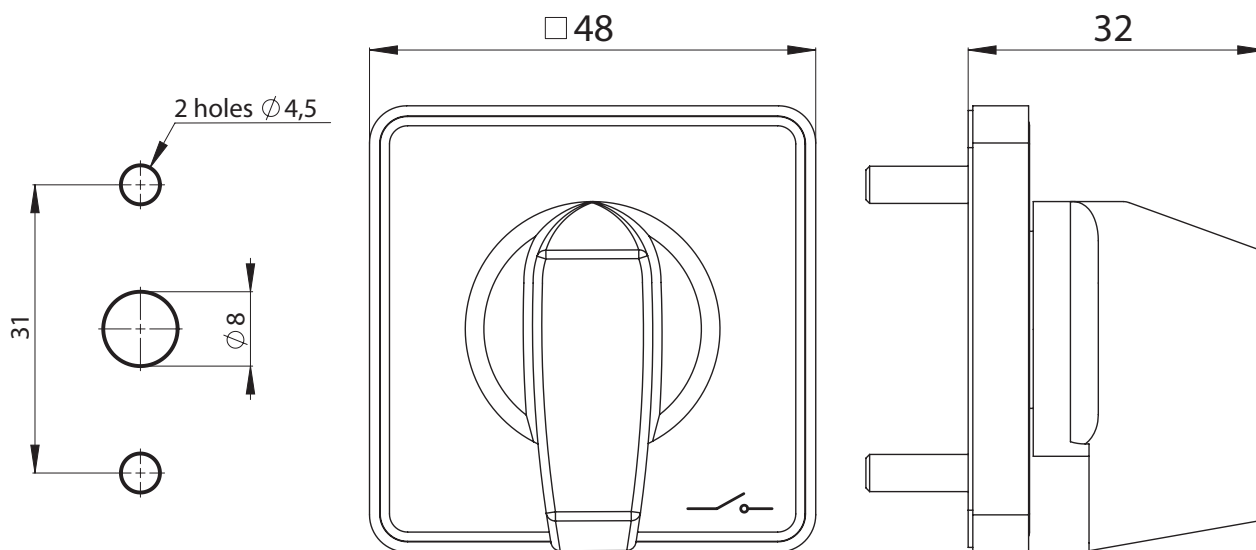
SK10-1406\

Front colour

R01 black legend plate, black knob

R05 yellow legend plate, red knob

Dimensions



Spacing of fixing holes 31 mm (2 screws M4x14)