

Front I SK25-1406 for assemblies BS...



R02



R06

Ordering code

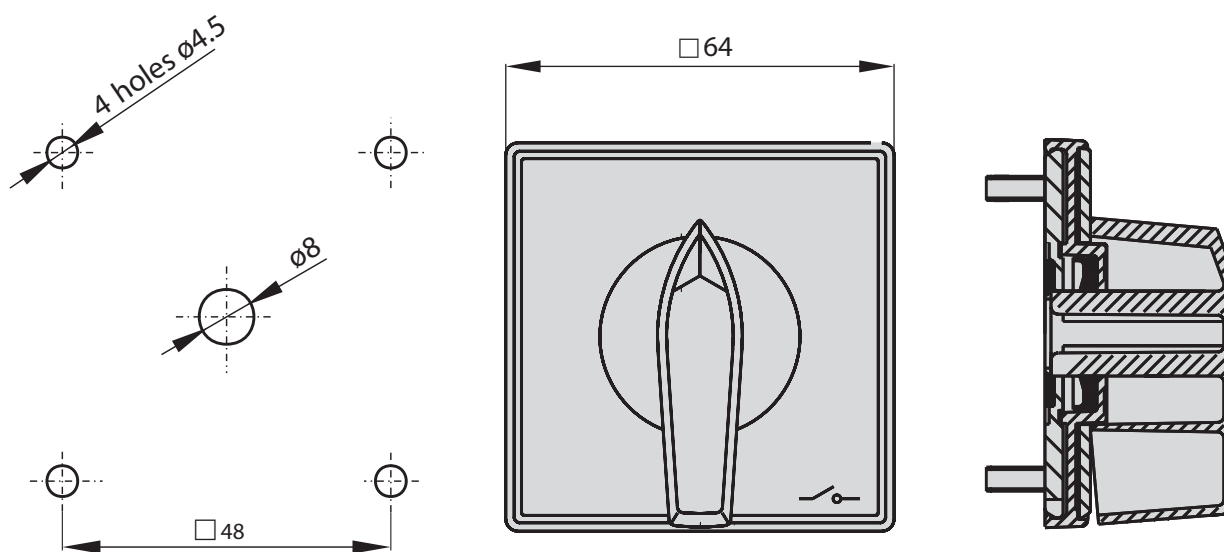
SK25-1406\

Front colour

R02 black legend plate, black knob

R06 yellow legend plate, red knob

Dimensions



Spacing of fixing holes 48 mm×48 mm (4 screws for plastics 4.1 x 13)