

Cam switch, panel-mounted, ŁK16S

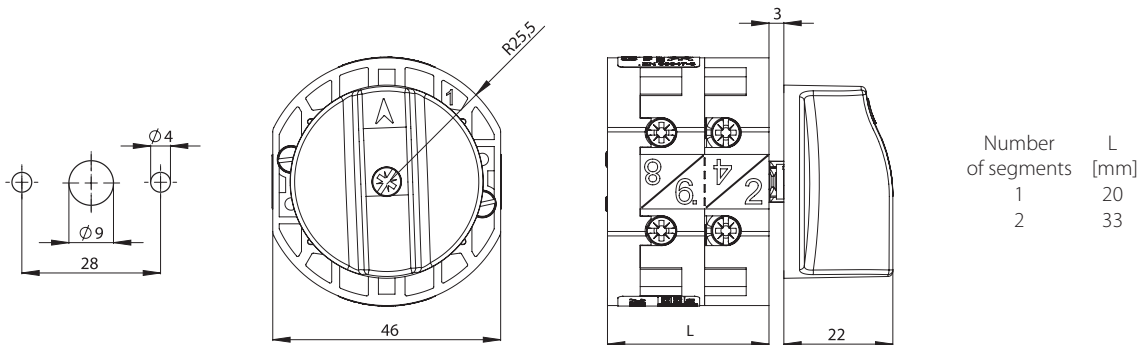


Ordering code

ŁK 16 S- \

16	Current	
	16 A	
	Mounting	
	P01M	black knob
	P01D	z pokrętleń duzym czarnym
	Assembly number	
	1.4213	Disconnecter 0-1 (1 - pole)
	1.428	Disconnecter 0-1 (2 - pole)
	2.423	Disconnecter 0-1 (3 - pole)
	2.4226	Disconnecter 0-1 (4 - pole)

Dimensions



Number of segments in the switch

1 ... 2

Technical data (continuous work)

Rated insulation voltage U_i	690 V
Rated withstand impulse voltage U_{imp}	6 kV
Rated continuous current $I_u = I_{th}$	20 A
Rated operational current I_e for AC-21A, AC-22A	16 A (230/400/500/690 V)
Rated operational power P_e for AC-23A	4 kW (230 V) 7 kW (400 V) 10 kW (500 V) 10 kW (690 V)
Rated operational power P_e for AC-3	3 kW (230 V) 5 kW (400 V) 7 kW (500 V) 8 kW (690 V)
Short-time short-circuit withstand current $I_{cw}(1s)$	0.25 kA
Rated short-circuit making current I_{cm}	0.34 kA
Rated current fuse link gG	16 A
Tightening torque, terminals	0.5 Nm
Panel mounting	□28
Ambient temperature	-5 ... +40°C
Wire gauge	0.75...2.5 mm ²
Protection level of the terminals	IP20