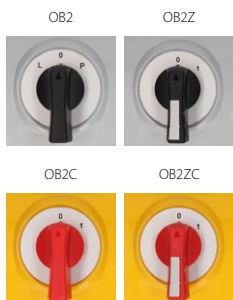


Cam switch in enclosure ŁK63 OB2



Ordering code

ŁK 63 - \

Mounting method

- OB2** in housing OB2
- OB2C** in housing OB2 with yellow-red front
- OB2Z** in housing OB2 with lockable front
- OB2ZC** in housing OB2 with lockable yellow-red front

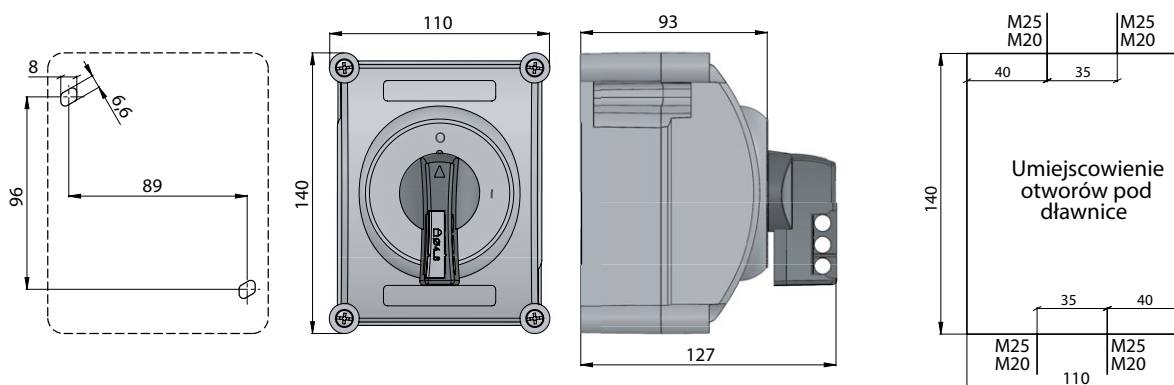
Assembly number

- 1.825** Disconnecter 0-1 (1 - pole)
- 1.828** Disconnecter 0-1 (2 - pole)
- 2.8211** Disconnecter 0-1 (3 - pole)
- 2.8210** Disconnecter 0-1 (4 - pole)
- 2.4414** Rotary disconnecter 0-1
- 2.8445** Control switch 0-1-2-3
- 1.834** Disconnecter 1-0-2 (1 - pole)
- 2.8338** Disconnecter 1-0-2 (2 - pole)

Current

63 63 A

Dimensions



Number of segments in the switch

1 ... 2

Gland type

M32x1,5

Technical data (continuous work)

Rated insulation voltage U_i	690 V
Rated withstand impulse voltage U_{imp}	6 kV
Rated continuous current $I_u=I_{th}$	63 A
Rated operational power P_e for AC-3	20 kW (400 V) 20 kW (500 V) 10 kW (690 V)
Rated operational power P_e for AC-4	12 kW (400 V) 8 kW (690 V)
Rated operational current I_e for AC-3	38 A (400 V) 30 A (500 V) 11 A (690 V)
Rated operational current I_e for AC-4	23 A (400 V) 8.5 A (690 V)
Short-time short-circuit withstand current $I_{cw}(1s)$	1.2 kA
Rated short-circuit making current I_{cm}	2.2 kA
Tightening torque, terminals	2.0 Nm
Mechanical endurance	3.0 mln (transposition cycles)
Ambient temperature	-40 ... +70°C (work) -40 ... +70°C (storage)
Wire gauge	4...10 mm ²
Protection level: PN-EN 60529 to the panel	IP41 IP65
Vibration test (acc. to IEC 60068-2-6)	2...13, 2...100 Hz (frequency) ± 1 mm (acceleration amplitude) ±0.7 g (acceleration amplitude)
Shock test (acc. to IEC 60068-2-27)	15 g (peak acceleration) 11 ms (impulse duration)
Damp heat cyclic test (acc. to IEC 60068-2-30)	55°C (ambient temperature) 95% (relative humidity)
Salt mist cyclic test (acc. to IEC 60068-2-52)	severity 1