

## Cam switch with module masking plate SK16 S10



### Ordering code

SK 16 -  \S10

	Assembly number
1.825	Disconnecter 0-1 (1 - pole)
1.828	Disconnecter 0-1 (2 - pole)
2.8211	Disconnecter 0-1 (3 - pole)
2.8210	Disconnecter 0-1 (4 - pole)
1.834	Disconnecter 1-0-2 (1 - pole)
2.8338	Disconnecter 1-0-2 (2 - pole)
3.8380	Disconnecter 1-0-2 (3 - pole)

Current
16 16 A

### Components

#### Fronts of cam switches

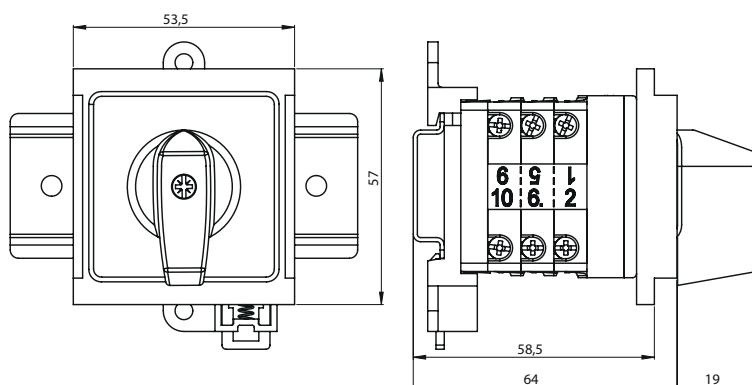
Front I SK10-1406 for assemblies P... and BS...

Front I SK10-1406 for assemblies P...

Front III SK10-1410 for assemblies P... and BS...(lockable)

Front III SK10-1410 for assemblies P...(lockable)

### Dimensions



### Number of segments in the switch

2 ... 3

## Technical data

Rated insulation voltage $U_e$	690 V
Rated withstand impulse voltage $U_{imp}$	6 kV
Rated continuous current $I_u=I_{th}$	20 A
Rated operational current $I_e$ for AC-21A, AC-22A	16 A (230/400/500/690 V)
Rated operational power $P_e$ for AC-23A	3 kW (230 V) 5 kW (400 V) 6 kW (500 V) 8 kW (690 V)
Rated operational power $P_e$ for AC-3	2 kW (230 V) 3.5 kW (400 V) 4 kW (500 V) 6 kW (690 V)
Rated operational current $I_e$ for DC-21A	16 A (24 V) 8 A (110 V) 6 A (220 V)
Short-time short-circuit withstand current $I_{cw}(1s)$	0.25 kA
Rated short-circuit making current $I_{cm}$	0.34 kA
Rated conventional short-circuit current	10 kA
Rated current fuse link gG	16 A
Wire gauge	1...4 mm <sup>2</sup>
Tightening torque, terminals	0.5 Nm
Panel mounting	31/□36
Mechanical endurance	3.0 mln (transposition cycles)
Ambient temperature	-40 ... +70°C (work) -40 ... +70°C (storage)
Protection level: PN-EN 60529 to the panel	IP65
Protection level of OB enclosure	IP65
Vibration test (acc. to IEC 60068-2-6)	2...13, 2...100 Hz (frequency) ± 1 mm (acceleration amplitude) ±0.7 g (acceleration amplitude)
Shock test (acc. to IEC 60068-2-27)	15 g (peak acceleration) 11 ms (impulse duration)
Damp heat cyclic test (acc. to IEC 60068-2-30)	55°C (ambient temperature) 95% (relative humidity)
Salt mist cyclic test (acc. to IEC 60068-2-52)	severity 1