

Cam switch with module masking plate SK25 S10

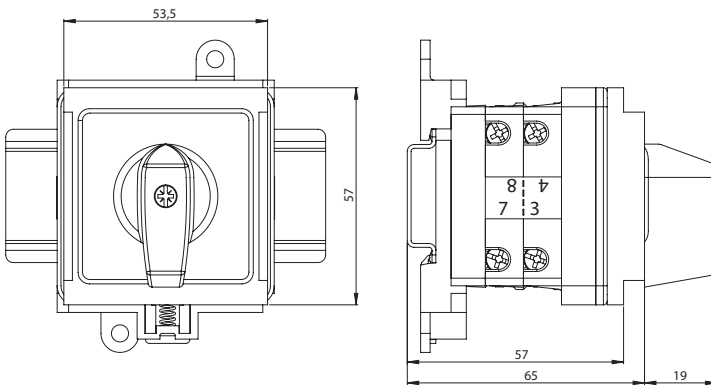


Ordering code

SK 25 - \S10

		Assembly number
	1.825	Disconnecter 0-1 (1 - pole)
	1.828	Disconnecter 0-1 (2 - pole)
	2.8211	Disconnecter 0-1 (3 - pole)
	2.8210	Disconnecter 0-1 (4 - pole)
	1.834	Disconnecter 1-0-2 (1 - pole)
	2.8338	Disconnecter 1-0-2 (2 - pole)
	<u>Current</u>	
25	25 A	

Dimensions



Number of segments in the switch

2 ... 2

Technical data

Rated insulation voltage U_e	690 V
Rated withstand impulse voltage U_{imp}	6 kV
Rated continuous current $I_u=I_{th}$	32 A
Rated operational current I_e for AC-21A, AC-22A	25 A (230/400/500/690 V)
Rated operational power P_e for AC-23A	6 kW (230 V) 11 kW (400 V) 14 kW (500 V) 20 kW (690 V)
Rated operational power P_e for AC-3	4.5 kW (230 V) 8 kW (400 V) 10 kW (500 V) 14 kW (690 V)
Rated operational current I_e for DC-21A	25 A (24 V) 13 A (110 V) 10 A (220 V)
Short-time short-circuit withstand current $I_{cw}(1s)$	0.5 kA
Rated short-circuit making current I_{cm}	0.7 kA
Rated conventional short-circuit current	10 kA
Rated current fuse link gG	25 A
Wire gauge	4...10 mm ²
Tightening torque, terminals	1.2 Nm
Panel mounting	□48
Mechanical endurance	3.0 mln (transposition cycles)
Ambient temperature	-40 ... +70°C (work) -40 ... +70°C (storage)
Protection level: PN-EN 60529 to the panel	IP65
Protection level of OB enclosure	IP65
Vibration test (acc. to IEC 60068-2-6)	2...13, 2...100 Hz (frequency) ± 1 mm (acceleration amplitude) ±0.7 g (acceleration amplitude)
Shock test (acc. to IEC 60068-2-27)	15 g (peak acceleration) 11 ms (impulse duration)
Damp heat cyclic test (acc. to IEC 60068-2-30)	55°C (ambient temperature) 95% (relative humidity)
Salt mist cyclic test (acc. to IEC 60068-2-52)	severity 1