

Cam switch in enclosure with lamp SK32 OB14L



Ordering code

SK 32 - \



	Mounting
OB14/L	in housing OB14 with green indicator lamp 230AC
OB14C/L	in housing OB14 with yellow-red front and green indicator lamp 230AC
OB14Z/L	in housing OB14 with lockable front and green indicator lamp 230AC
OB14ZC/L	in housing OB14 with lockable yellow-red front and green indicator lamp 230AC

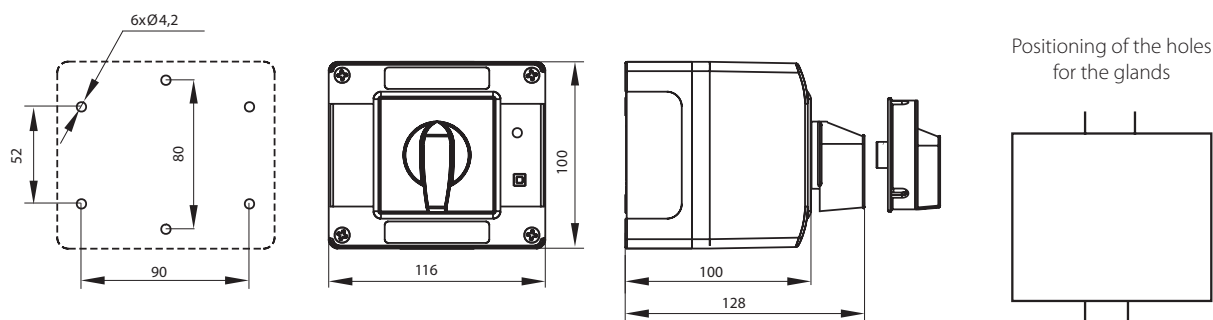
Assembly number

1.825	Disconnecter 0-1 (1 - pole)
1.828	Disconnecter 0-1 (2 - pole)
2.8211	Disconnecter 0-1 (3 - pole)
2.8210	Disconnecter 0-1 (4 - pole)
3.8220	Disconnecter 0-1 (5 - pole)
3.8210	Disconnecter 0-1 (6 - pole)
4.8240	Disconnecter 0-1 (7 - pole)
4.824	Disconnecter 0-1 (8 - pole)
5.8220	Disconnecter 0-1 (9 - pole)
5.822	Disconnecter 0-1 (10 - pole)
6.8210	Disconnecter 0-1 (11 - pole)
6.821	Disconnecter 0-1 (12 - pole)

Current

32 32 A

Dimensions



Number of segments in the switch

1 ... 6

Gland type

M25x1,5

Technical data

Rated insulation voltage U_e	690 V
Rated withstand impulse voltage U_{imp}	6 kV
Rated continuous current $I_u=I_{th}$	40 A
Rated operational current I_e for AC-21A, AC-22A	32 A (230/400/500/690 V)
Rated operational power P_e for AC-23A	7.5 kW (230 V) 13 kW (400 V) 16 kW (500 V) 22 kW (690 V)
Rated operational power P_e for AC-3	6 kW (230 V) 10 kW (400 V) 12 kW (500 V) 17 kW (690 V)
Rated operational current I_e for DC-21A	32 A (24 V) 16 A (110 V) 12 A (220 V)
Short-time short-circuit withstand current $I_{cw}(1s)$	0.5 kA
Rated short-circuit making current I_{cm}	0.7 kA
Rated conventional short-circuit current	10 kA
Rated current fuse link gG	35 A
Wire gauge	4...10 mm ²
Tightening torque, terminals	1.2 Nm
Panel mounting	□48
Mechanical endurance	3.0 mln (transposition cycles)
Ambient temperature	-40 ... +70°C (work) -40 ... +70°C (storage)
Protection level: PN-EN 60529 to the panel	IP65
Protection level of OB enclosure	IP65
Vibration test (acc. to IEC 60068-2-6)	2...13, 2...100 Hz (frequency) ± 1 mm (acceleration amplitude) ±0.7 g (acceleration amplitude)
Shock test (acc. to IEC 60068-2-27)	15 g (peak acceleration) 11 ms (impulse duration)
Damp heat cyclic test (acc. to IEC 60068-2-30)	55°C (ambient temperature) 95% (relative humidity)
Salt mist cyclic test (acc. to IEC 60068-2-52)	severity 1