

Cam switch with module masking plate SK32 S10

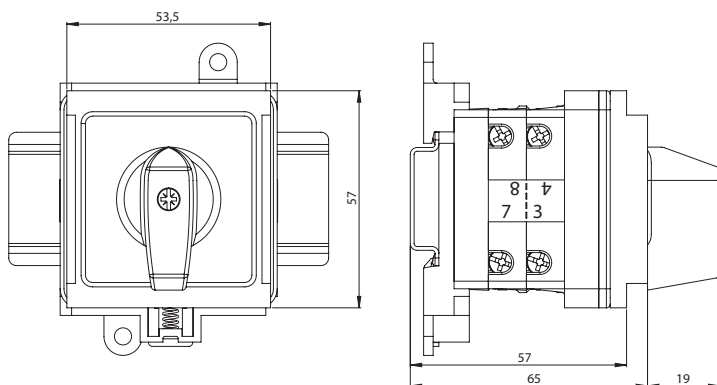


Ordering code

SK 32 - \S10

		Assembly number
1.825		Disconnecter 0-1 (1 - pole)
1.828		Disconnecter 0-1 (2 - pole)
2.8211		Disconnecter 0-1 (3 - pole)
2.8210		Disconnecter 0-1 (4 - pole)
1.834		Disconnecter 1-0-2 (1 - pole)
2.8338		Disconnecter 1-0-2 (2 - pole)
32	32 A	Current

Dimensions



Number of segments in the switch

2...2

Technical data

Rated insulation voltage U_e	690 V
Rated withstand impulse voltage U_{imp}	6 kV
Rated continuous current $I_u=I_{th}$	40 A
Rated operational current I_e for AC-21A, AC-22A	32 A (230/400/500/690 V)
Rated operational power P_e for AC-23A	7.5 kW (230 V) 13 kW (400 V) 16 kW (500 V) 22 kW (690 V)
Rated operational power P_e for AC-3	6 kW (230 V) 10 kW (400 V) 12 kW (500 V) 17 kW (690 V)
Rated operational current I_e for DC-21A	32 A (24 V) 16 A (110 V) 12 A (220 V)
Short-time short-circuit withstand current $I_{cw}(1s)$	0.5 kA
Rated short-circuit making current I_{cm}	0.7 kA
Rated conventional short-circuit current	10 kA
Rated current fuse link gG	35 A
Wire gauge	4...10 mm ²
Tightening torque, terminals	1.2 Nm
Panel mounting	□48
Mechanical endurance	3.0 mln (transposition cycles)
Ambient temperature	-40 ... +70°C (work) -40 ... +70°C (storage)
Protection level: PN-EN 60529 to the panel	IP65
Protection level of OB enclosure	IP65
Vibration test (acc. to IEC 60068-2-6)	2...13, 2...100 Hz (frequency) ± 1 mm (acceleration amplitude) ±0.7 g (acceleration amplitude)
Shock test (acc. to IEC 60068-2-27)	15 g (peak acceleration) 11 ms (impulse duration)
Damp heat cyclic test (acc. to IEC 60068-2-30)	55°C (ambient temperature) 95% (relative humidity)
Salt mist cyclic test (acc. to IEC 60068-2-52)	severity 1