

Shaft with a lock RSB 160-1919 (dedicated for RSI, PRZK)



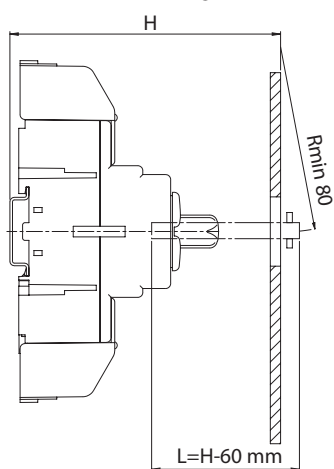
### Ordering code

RSI 160-1919\

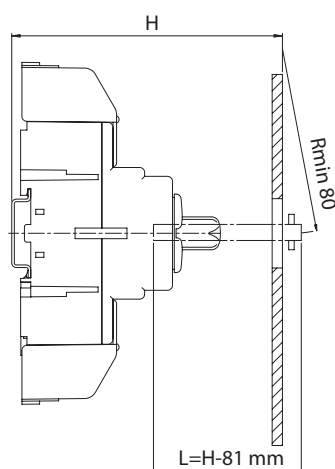
- Length of the shaft with a lock  $L_p$
- R01** 60 mm
  - R02** 100 mm
  - R03** 150 mm
  - R04** 200 mm
  - R05** 300 mm

### Dimensions

Calculation of shaft length



RSI 63/80, PRZK 63/80



RSI 125/160, PRZK 125/160