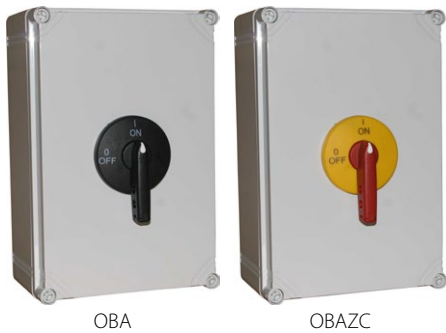


Isolating switch disconnecter RSI 125 in OBA/OBP housing



Technical data (continuous work)

Rated insulation voltage U_i	690 V
Rated withstand impulse voltage U_{imp}	8 kV
Conventional rated thermal current in the air I_{th}	125 A
Rated operational current I_e for AC-21A, AC-22A	125 A (690 V)
Rated operational current I_e for AC-23A	100 A (400 V) 80 A (500 V) 60 A (690 V)
Rated power AC-23A for 3-phase standard asynchronous motors	40 kW (400 V) 40 kW (500 V) 35 kW (690 V)
Rated operational current I_e for DC-21A	125 A (220 V)
Rated operational current I_e for DC-22A	80 A (220 V)
Rated operational current I_e for DC-23A	60 A (220 V)
Short-time short-circuit withstand current $I_{cw}(1s)$	2.5 kA
Rated short-circuit making current I_{cm}	7.5 kA
Rated conventional short-circuit current	25 kA (fuse link gL/gG 125 A)
Mechanical endurance	8000 (cycles)
Electrical endurance	1000 (cycles)
Wire gauge	25...70 mm ² (solid)
Weight	0.7...0.74 kg
Vibration test (acc. to IEC 60068-2-6)	2...100 Hz (frequency) ± 1 mm (amplitude) ±0.7 g (acceleration)
Shock test (acc. to IEC 60068-2-27)	15 g (peak acceleration) 11 ms (impulse duration)
Damp heat cyclic test (acc. to IEC 60068-2-30)	55°C (ambient temperature) 95% (relative humidity)
Salt mist cyclic test (acc. to IEC 60068-2-52)	severity 1
Protection level in the enclosure	IP65

Ordering code

RSI- \

OBP Disconnector enclosure
 In polycarbonate housing with black front, lockable
OBA In ABS housing with black front, lockable
OBPZC In polycarbonate housing with y/r front, lockable
OBAZC In ABS housing with y/r front, lockable

Disconnector poles

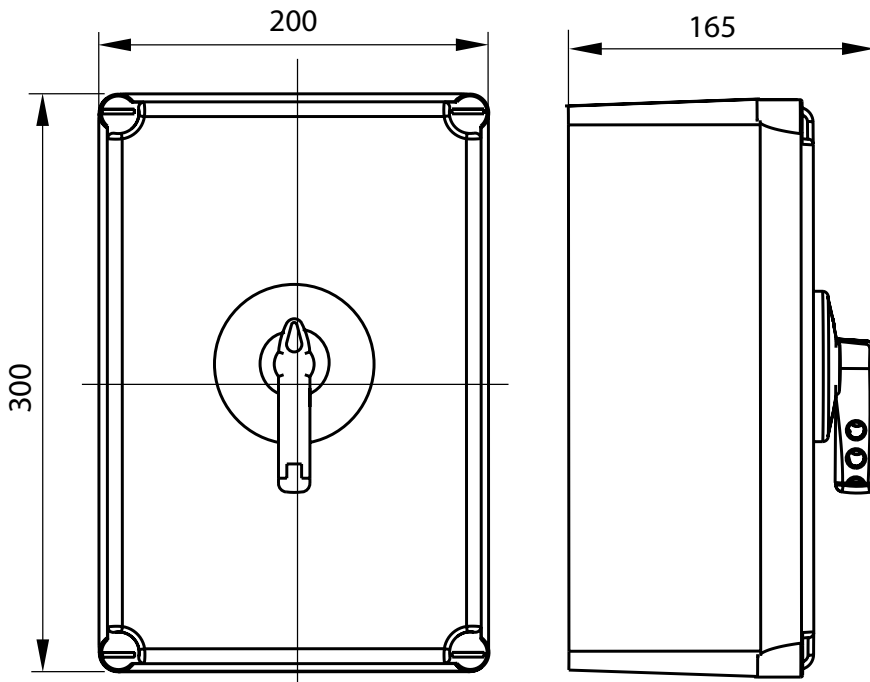
3125 3 poles
3125N 3 poles + N non-switched
4125 4 poles
4125N 3 poles + N switched
6125 6 poles
6125N 6 poles + 2xN non-switched
8125N 6 poles + 2xN switched
8125 8 poles

Disconnector poles

	3 poles
	3 poles + N non-switched
	4 poles
	3 poles + N switched
	6 poles
	6 poles + 2xN non-switched
	6 poles + 2xN switched
	8 poles

Dimensions

Dimensions of 3 and 4-pole



Dimensions of 6 and 8-pole

