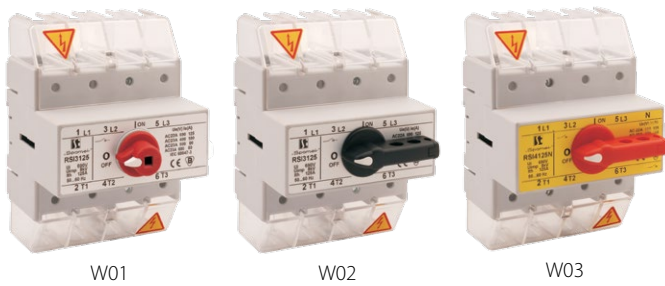


Isolating switch disconnecter RSI 160



W01

W02

W03

Technical data (continuous work)

Rated insulation voltage U_i	690 V
Rated withstand impulse voltage U_{imp}	8 kV
Conventional rated thermal current in the air I_{th}	160 A
Rated operational current I_e for AC-21A, AC-22A	160 A (690 V)
Rated operational current I_e for AC-23A	125 A (400 V) 100 A (500 V) 80 A (690 V)
Rated power AC-23A for 3-phase standard asynchronous motors	50 kW (400 V) 50 kW (500 V) 40 kW (690 V)
Rated operational current I_e for DC-21A	160 A (220 V)
Rated operational current I_e for DC-22A	100 A (220 V)
Rated operational current I_e for DC-23A	80 A (220 V)
Short-time short-circuit withstand current $I_{cw}(1s)$	3.2 kA
Rated short-circuit making current I_{cm}	10 kA
Rated conventional short-circuit current	25 kA (fuse link gL/gG 160 A)
Mechanical endurance	8000 (cycles)
Electrical endurance	1000 (cycles)
Wire gauge	25...70 mm ² (solid)
Weight	0.7...0.74 kg
Vibration test (acc. to IEC 60068-2-6)	2...100 Hz (frequency) ± 1 mm (amplitude) ±0.7 g (acceleration)
Shock test (acc. to IEC 60068-2-27)	15 g (peak acceleration) 11 ms (impulse duration)
Damp heat cyclic test (acc. to IEC 60068-2-30)	55°C (ambient temperature) 95% (relative humidity)
Salt mist cyclic test (acc. to IEC 60068-2-52)	severity 1

Ordering code

RSI- \

Disconnecter knob

- W01** for external knob
- W02** with knob on black disconnecter
- W03** with knob on red disconnecter

Disconnecter poles

- 3160** 3 poles
- 3160N** 3 poles + N non-switched
- 4160** 4 poles
- 4160N** 3 poles + N switched
- 6160** 6 poles
- 6160N** 6 poles + 2xN non-switched
- 8160N** 6 poles + 2xN switched
- 8160** 8 poles

Disconnecter poles

	3 poles
	3 poles + N non-switched
	4 poles
	3 poles + N switched
	6 poles
	6 poles + 2xN non-switched
	6 poles + 2xN switched
	8 poles

Accessories

Auxiliary contact SP160

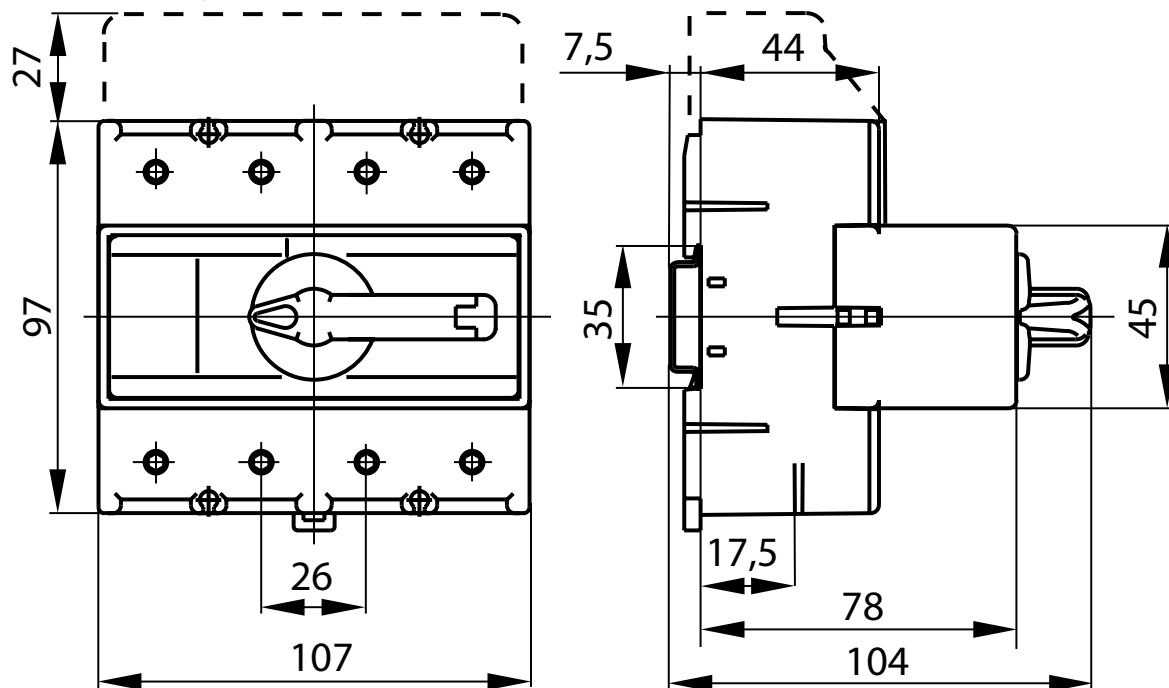
Knob PR 30

Shaft with a lock RSI 160-1919

Shaft clamps for RSI, PRZK RSI160-6621\PO1

Dimensions

Dimensions of 3 and 4-pole



Dimensions of 6 and 8-pole

