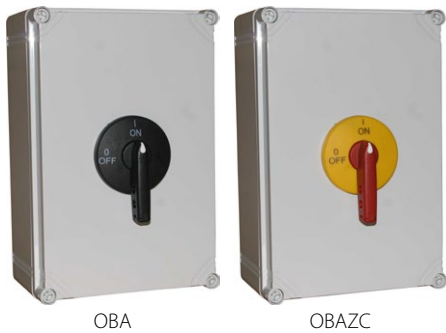


## Isolating switch disconnecter RSI 160 in OBA/OBP housing



OBA

OBAZC

### Technical data (continuous work)

Rated insulation voltage $U_i$	690 V
Rated withstand impulse voltage $U_{imp}$	8 kV
Conventional rated thermal current in the air $I_{th}$	160 A
Rated operational current $I_e$ for AC-21A, AC-22A	160 A (690 V)
Rated operational current $I_e$ for AC-23A	125 A (400 V) 100 A (500 V) 80 A (690 V)
Rated power AC-23A for 3-phase standard asynchronous motors	50 kW (400 V) 50 kW (500 V) 40 kW (690 V)
Rated operational current $I_e$ for DC-21A	160 A (220 V)
Rated operational current $I_e$ for DC-22A	100 A (220 V)
Rated operational current $I_e$ for DC-23A	80 A (220 V)
Short-time short-circuit withstand current $I_{cw}(1s)$	3.2 kA
Rated short-circuit making current $I_{cm}$	10 kA
Rated conventional short-circuit current	25 kA (fuse link gL/gG 160 A)
Mechanical endurance	8000 (cycles)
Electrical endurance	1000 (cycles)
Wire gauge	25...70 mm <sup>2</sup> (solid)
Weight	0.7...0.74 kg
Vibration test (acc. to IEC 60068-2-6)	2...100 Hz (frequency) ± 1 mm (amplitude) ±0.7 g (acceleration)
Shock test (acc. to IEC 60068-2-27)	15 g (peak acceleration) 11 ms (impulse duration)
Damp heat cyclic test (acc. to IEC 60068-2-30)	55°C (ambient temperature) 95% (relative humidity)
Salt mist cyclic test (acc. to IEC 60068-2-52)	severity 1
Protection level in the enclosure	IP65

### Ordering code

RSI-  \

Disconnecter enclosure

**OBP** In polycarbonate housing with black front, lockable

**OBA** In ABS housing with black front, lockable

**OBPZC** In polycarbonate housing with y/r front, lockable

**OBAZC** In ABS housing with y/r front, lockable

Disconnecter poles

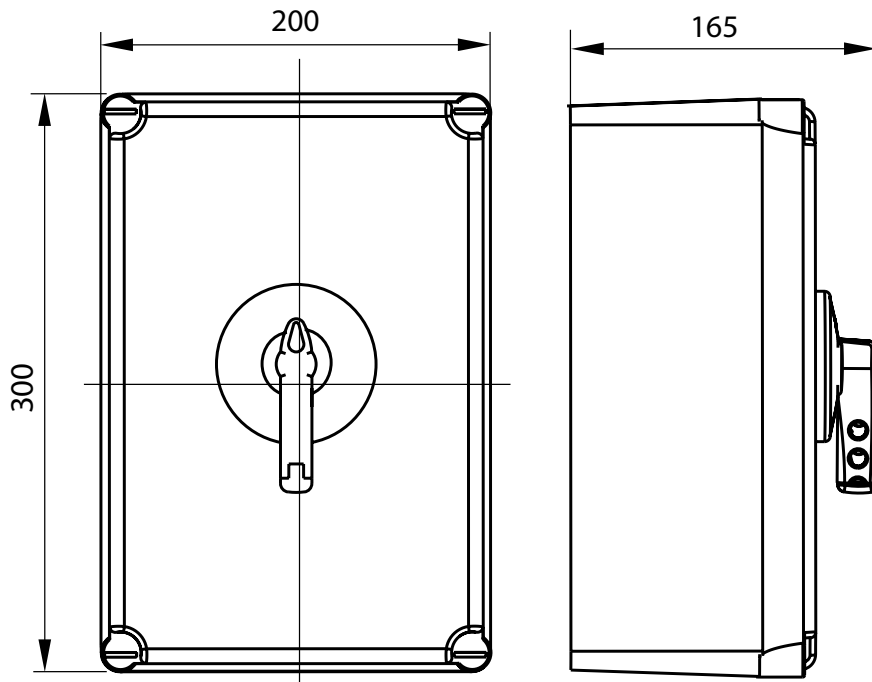
<b>3160</b>	3 poles
<b>3160N</b>	3 poles + N non-switched
<b>4160</b>	4 poles
<b>4160N</b>	3 poles + N switched
<b>6160</b>	6 poles
<b>6160N</b>	6 poles + 2xN non-switched
<b>8160N</b>	6 poles + 2xN switched
<b>8160</b>	8 poles

### Disconnecter poles

	3 poles
	3 poles + N non-switched
	4 poles
	3 poles + N switched
	6 poles
	6 poles + 2xN non-switched
	6 poles + 2xN switched
	8 poles

## Dimensions

Dimensions of 3 and 4-pole



Dimensions of 6 and 8-pole

