

Isolating switch disconnecter RSI 80 in OB17 housing



OB17

OB17ZC

Ordering code

RSI-	<input type="text"/>	<input type="text"/>	
			Disconnecter enclosure
		OB17	In housing OB17 with black front, lockable
		OB17ZC	In housing OB17 with y/r front, lockable
			Disconnecter poles
	3080		3 poles
	3080N		3 poles + N non-switched
	4080		4 poles
	4080N		3 bieguny + N rozłączny

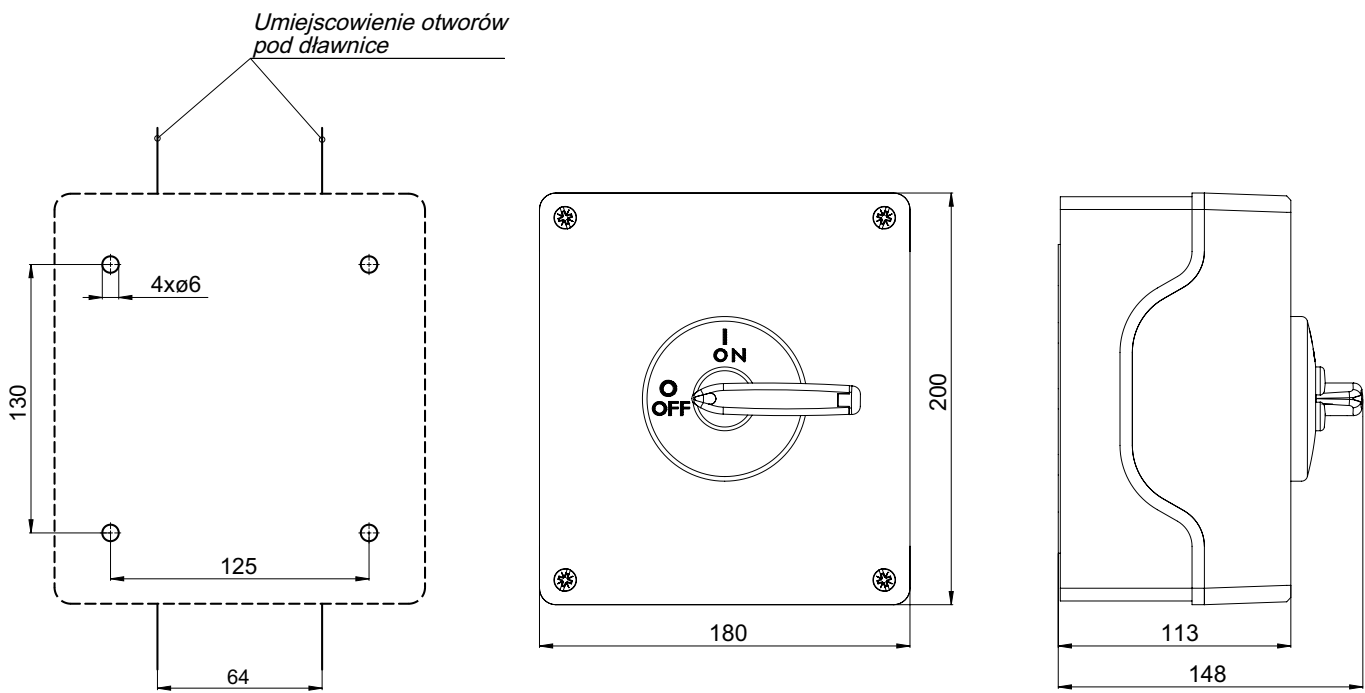
Disconnecter poles

	3 poles
	3 poles + N non-switched
	3 poles + N switched
	4 poles

Technical data (continuous work)

Rated insulation voltage U_i	690 V
Rated withstand impulse voltage U_{imp}	8 kV
Conventional rated thermal current in the air I_{th}	80 A
Rated operational current I_e for AC-21A, AC-22A	80 A (690 V)
Rated operational current I_e for AC-23A	70 A (400 V) 55 A (500 V) 32 A (690 V)
Rated power AC-23A for 3-phase standard asynchronous motors	35 kW (400 V) 35 kW (500 V) 30 kW (690 V)
Rated operational current I_e for DC-21A	80 A (220 V)
Rated operational current I_e for DC-22A	50 A (220 V)
Rated operational current I_e for DC-23A	40 A (220 V)
Short-time short-circuit withstand current $I_{cw}(1s)$	1.8 kA
Rated short-circuit making current I_{cm}	6 kA
Rated conventional short-circuit current	15 kA (fuse link gL/gG 80 A)
Mechanical endurance	10000 (cycles)
Electrical endurance	1500 (cycles)
Wire gauge	10...16 mm ² (solid)
Weight	1.41...1.43 kg
Vibration test (acc. to IEC 60068-2-6)	2...100 Hz (frequency) ± 1 mm (amplitude) ±0.7 g (acceleration)
Shock test (acc. to IEC 60068-2-27)	15 g (peak acceleration) 11 ms (impulse duration)
Damp heat cyclic test (acc. to IEC 60068-2-30)	55°C (ambient temperature) 95% (relative humidity)
Salt mist cyclic test (acc. to IEC 60068-2-52)	severity 1
Protection level in the enclosure	IP65

Dimensions



Gland type

M32/40