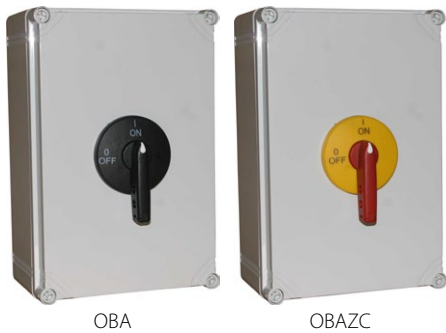


Isolating switch disconnecter RSI 80 in OBA/OBP housing



| Technical data (continuous work) | |
|---|---|
| Rated insulation voltage U_i | 690 V |
| Rated withstand impulse voltage U_{imp} | 8 kV |
| Conventional rated thermal current in the air I_{th} | 80 A |
| Rated operational current I_g for AC-21A, AC-22A | 80 A (690 V) |
| Rated operational current I_g for AC-23A | 70 A (400 V) 55 A (500 V) 32 A (690 V) |
| Rated power AC-23A for 3-phase standard asynchronous motors | 35 kW (400 V) 35 kW (500 V) 30 kW (690 V) |
| Rated operational current I_g for DC-21A | 80 A (220 V) |
| Rated operational current I_g for DC-22A | 50 A (220 V) |
| Rated operational current I_g for DC-23A | 40 A (220 V) |
| Short-time short-circuit withstand current $I_{cw}(1s)$ | 1.8 kA |
| Rated short-circuit making current I_{cm} | 6 kA |
| Rated conventional short-circuit current | 15 kA (fuse link gL/gG 80 A) |
| Mechanical endurance | 10000 (cycles) |
| Electrical endurance | 1500 (cycles) |
| Wire gauge | 10...25 mm ² (solid) |
| Weight | 0.3...0.32 kg |
| Vibration test (acc. to IEC 60068-2-6) | 2...100 Hz (frequency) ± 1 mm (amplitude) ±0.7 g (acceleration) |
| Shock test (acc. to IEC 60068-2-27) | 15 g (peak acceleration) 11 ms (impulse duration) |
| Damp heat cyclic test (acc. to IEC 60068-2-30) | 55°C (ambient temperature) 95% (relative humidity) |
| Salt mist cyclic test (acc. to IEC 60068-2-52) | severity 1 |
| Protection level in the enclosure | IP65 |

Ordering code

RSI- \

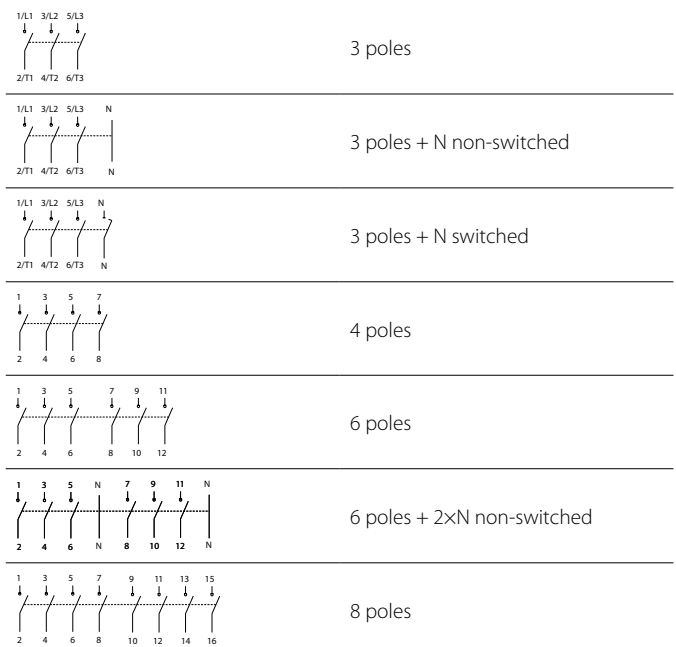
Disconnecter enclosure

- OBP** In polycarbonate housing with black front, lockable
- OBA** In ABS housing with black front, lockable
- OBPZC** In polycarbonate housing with y/r front, lockable
- OBAZC** In ABS housing with y/r front, lockable

Disconnecter poles

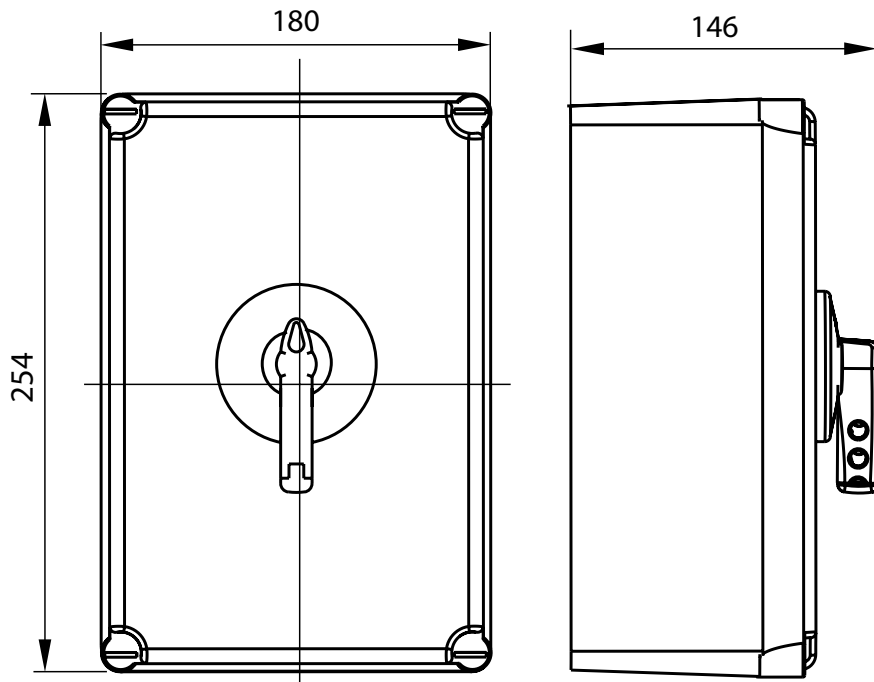
- 3080** 3 poles
- 3080N** 3 poles + N non-switched
- 4080** 4 poles
- 4080N** 3 bieguny + N rozłączny
- 6080** 6 poles
- 6080N** 6 poles + 2xN non-switched
- 8080** 8 poles

Disconnecter poles



Dimensions

Dimensions of 3 and 4-pole



Dimensions of 6 and 8-pole

