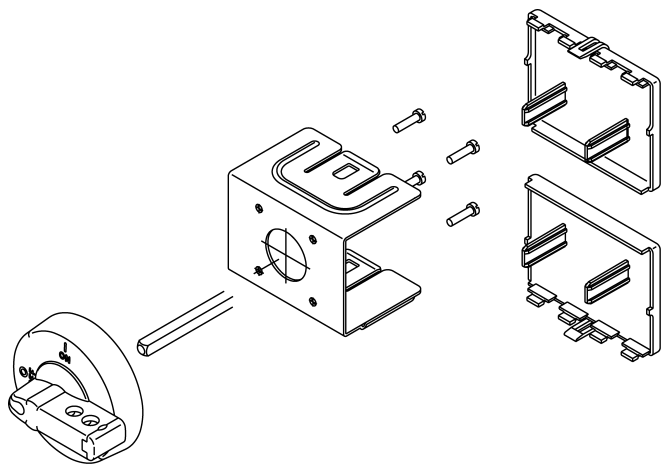


Mounted behind the panel, RSI 80-1203 for assembly W01



Ordering code

RSI 80-1203 \

Front of the disconnector
P01 black front
P02 yellow-red front

Product description

Installation kit for panel mounting of the disconnectors RSI63 and RSI80 in the assembly W01.

Dimensions

