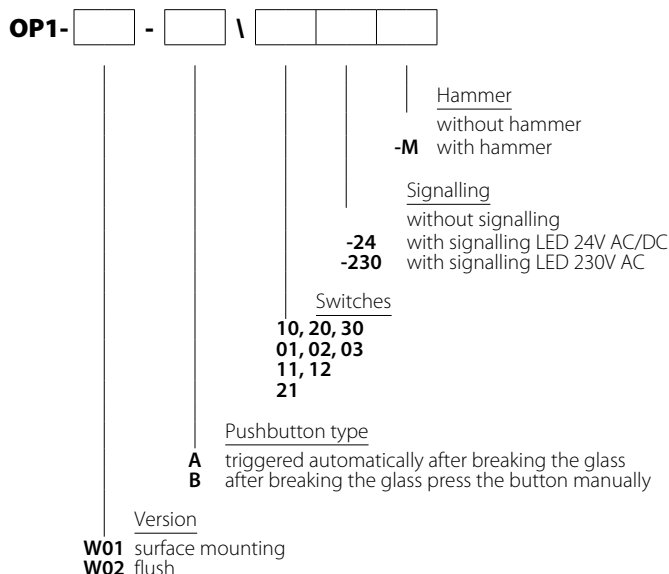


Manual call point OP1



Ordering code



Code examples

OP1-W01-A-11

on-plaster mounting, 1 NO switch and 1 NC switch. When the glass is broken the pushbutton is released automatically (type A acc. to PN-EN 54-11)

OP1-W02-B-10-230-M

flush mounting with 1 NO switch. When the glass is broken it is necessary to push the button (type B acc. to PN-EN 54-11). Signalling LED 230 V AC. With a hammer.

Product description

Manual call point (OP1) is intended for use in industry buildings and public places. It is offered in two versions: flush and surface mounted. Each version is available in two types: A and B. In OP1 type A the switch is released after breaking the glass in an emergency. In OP1 type B, after breaking the glass the momentary pushbutton must be pressed. Each enclosure can be fitted with three switches SP22-10 (NO) or SP22-01 (NC). In addition, each assembly can be fitted with a diode which can be connected to the switch or directly to the alarm system in the building.

The signal is triggered and sent after breaking the glass (type A) or after breaking the glass and pressing the momentary pushbutton (type B). The alarm signal is reset after replacing the breakable element (glass - ordering code PPOŻ-5701). The product is compliant with PN-EN 54-11.

Approval certificate No. 2266/2014.

Certificate of compliance EC No. 1438/CPD/0130.

Note

When selecting current paths, the selected type (A or B) should be taken into account

TYP A

NO contacts (10, 20, 30): after breaking the glass or removing the cover, the contacts open.

NC contacts (01, 02, 03): after breaking the glass or removing the cover, the contacts close.

Mixed NC/NO contacts (11, 12, 21): after breaking the glass, the NO contacts will open and the NC contacts will close.

TYP B

NO contacts (10, 20, 30): after breaking the glass or removing the cover, the button must be pressed manually - the contacts will close.

NC contacts (01, 02, 03): after breaking the glass or removing the cover, the button must be pressed manually - the contacts will open.

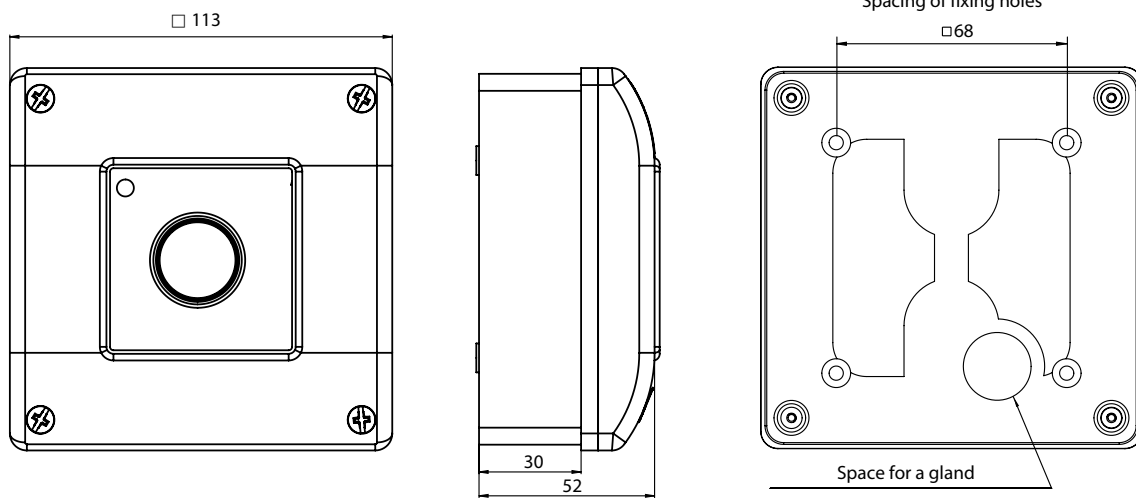
Mixed NC/NO contacts (11, 12, 21): after pressing the button, the NO contacts will close and the NC contacts will open.

Technical data

Rated insulation voltage U_i	500 V
Rated continuous current $I_n=I_{th}$	10 A
Rated operational current I_e for AC-15	2.5 A (230 V) 1.6 A (400/500 V)
Rated operational current I_e for AC-13	4 A (24 V) 1 A (110 V) 0.25 A (220 V)
Degree of protection	IP65 – declared by the manufacturer (the selected feature of the product was not confirmed by CNBOP-PIB) OP1 is properly protected against water according to the standard: PN-EN60068-2-30
Wire gauge	2x 1...2.5 mm ² (solid) 2x 0.75...1.5 mm ² (stranded)

Dimensions

surface mounting



flush mounting

