

## Switch socket ZI2 with disconnector 0-I



IP44

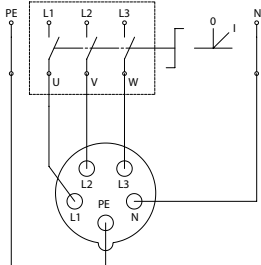
IP67

### Product description

The units have modern and ergonomic design. Each unit is fitted with a main socket 16 or 32 A (depending on configuration). Switch sockets ZI with 0-I disconnector are fitted with a **cam switch**, a main socket and, depending on configuration, 1 or 2 side sockets (1-phase) fitted on the base plate which makes connecting the wires easier. Switch sockets ZI are compliant with the standard: PN-EN 60439-3, PN-EN 60439-1

New devices are compliant with RoHS Directive 2002/95/EC which means that they do not contain the hazardous substances listed in the Directive.

### Electrical diagram



### Ordering code

ZI

Assembly number of the switch socket

22\R111, 26\R111, 22\R211, 26\R211  
 22\R571, 26\R571, 23\R111, 23\R211  
 23\R581, 24\R111, 24\R211, 24\R511  
 22\R341, 26\R341, 22\R441, 26\R441  
 25\R341-B, 25\R342-B, 25\R441-B, 25\R442-B

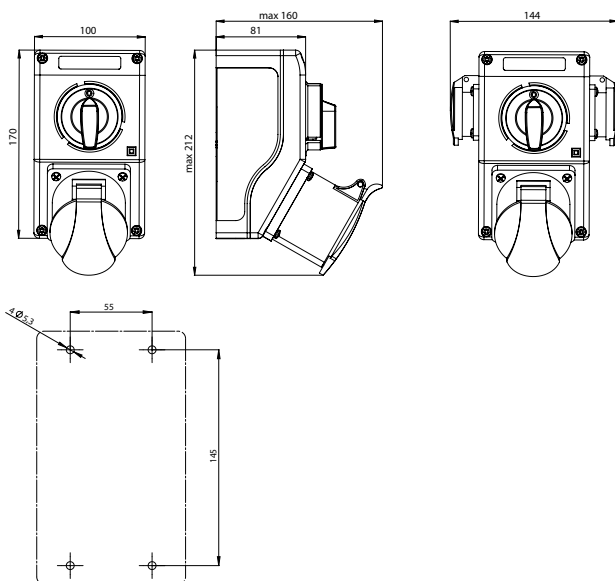
Note: 1-phase side socket is installed on the right by default. It is possible to order the side socket on the left. In order to do that, please add "L", e.g. **ZI23\R111L**

Protection level **IP67** in assemblies: ZI26\R111, ZI26\R211, ZI26\R341, ZI26\R441.

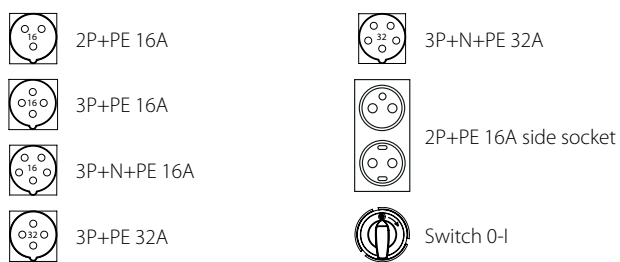
### Technical data

Rated insulation voltage $U_i$	500 V
Rated continuous current $I_n$	max 32 A
Rated frequency	50-60 Hz
Rated switching voltage $U_e$	230/400 V
Rated withstand impulse voltage $U_{imp}$	6 kV
Wire gauge	2.5...6 mm <sup>2</sup>
Protection level	IP44; IP65/IP67
Protection class	II
Weight	0.8...1.2 kg
Gland type	M25x1,5 (16 A) M32x1,5 (32 A)

### Dimensions



## Elements of the assemblies



## Pin layout of the sockets



## Assemblies

