

## Switch socket ZI2 with disconnector 0-I (SCHUKO)



IP44

### Ordering code

ZI  -S

Assembly number of the switch socket

23\R111, 23\R211, 23\R581, 24\R111  
24\R211, 24\R511, 25\R341, 25\R342  
25\R441, 25\R442

Note: 1-phase side socket is installed on the right by default. It is possible to order the side socket on the left. In order to do that, please add "L", e.g. **ZI23\R111L-S**

In assemblies: ZI25\R341-S, ZI25\R342-S, ZI25\R441-S, ZI25\R442-S it is possible to protect the side socket with a fuse-link WTA 10A/250V 1500 A AC.

### Technical data

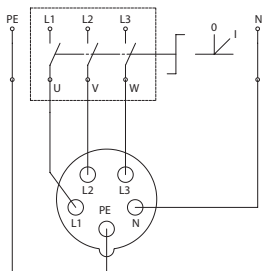
Rated insulation voltage $U_i$	500 V
Rated continuous current $I_u$	max 32 A
Rated frequency	50-60 Hz
Rated switching voltage $U_e$	230/400 V
Rated withstand impulse voltage $U_{imp}$	6 kV
Wire gauge	2.5...6 mm <sup>2</sup>
Protection level	IP44
Protection class	II
Weight	0.8...1.2 kg
Gland type	M25x1,5 (16 A) M32x1,5 (32 A)

### Product description

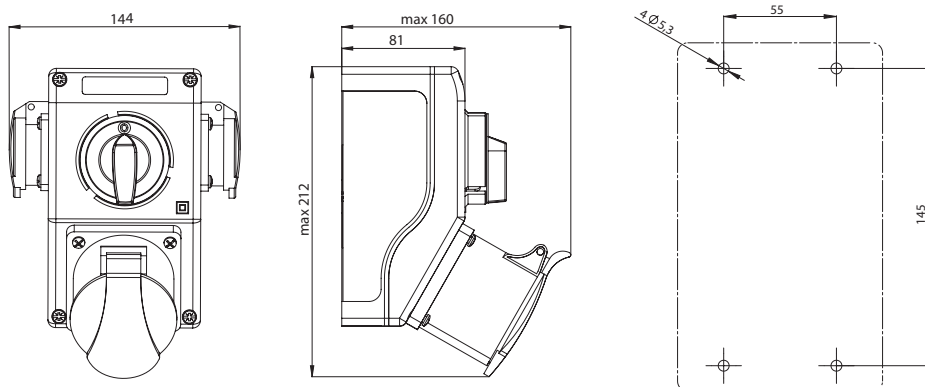
The units have modern and ergonomic design. Each unit is fitted with a main socket 16 or 32 A (depending on configuration). Switch sockets ZI with 0-I disconnectors are fitted with a **cam switch**, a main socket and, depending on configuration, 1 or 2 side sockets (1-phase) fitted on the base plate which makes connecting the wires easier. Switch sockets ZI are compliant with the standard: PN-EN 60439-3, PN-EN 60439-1

New devices are compliant with RoHS Directive 2002/95/EC which means that they do not contain the hazardous substances listed in the Directive.

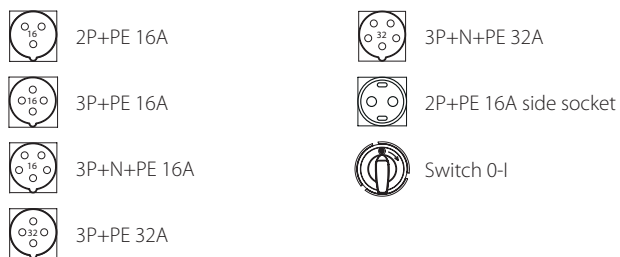
### Electrical diagram



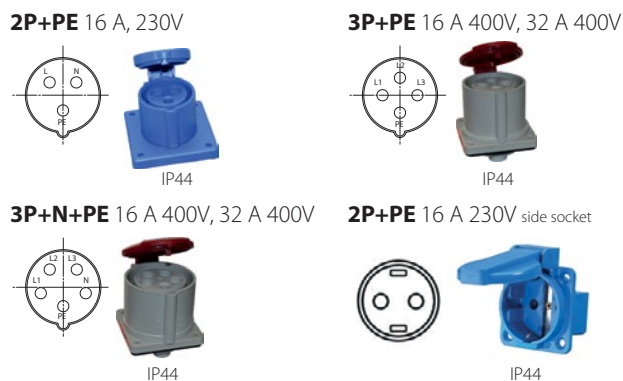
### Dimensions



## Elements of the assemblies



## Pin layout of the sockets



## Assemblies

