

Switch socket ZI2 with disconnector L-O-P (SCHUKO)



IP44

Ordering code

ZI -S

Assembly number of the switch socket

23\R121, 23\R221, 24\R121, 24\R221
25\R361, 25\R362, 25\R461, 25\R462

Note: 1-phase side socket is installed on the right by default. It is possible to order the side socket on the left. In order to do that, please add "L", e.g. **ZI23\R111L-S**

In assemblies: ZI25\R361-S, ZI25\R362-S, ZI25\R461-S, ZI25\R462-S it is possible to protect the side socket with a fuse-link WTA 10A/250V 1500 A AC.

Technical data

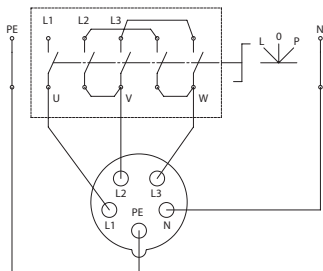
Rated insulation voltage U_i	500 V
Rated continuous current I_u	max 32 A
Rated frequency	50-60 Hz
Rated switching voltage U_e	230/400 V
Rated withstand impulse voltage U_{mp}	6 kV
Wire gauge	2.5...6 mm ²
Protection level	IP44
Protection class	II
Weight	0.8...1.2 kg
Gland type	M25×1,5 (16 A) M32×1,5 (32 A)

Product description

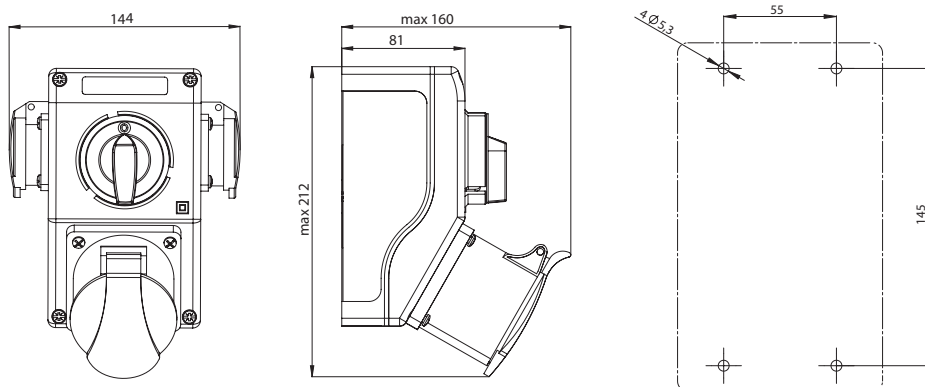
The units have modern and ergonomic design. Each unit is fitted with a main socket 16 or 32 A (depending on configuration). Switch sockets ZI with L-O-P disconnector are fitted with a **cam switch**, a main socket and, depending on configuration, 1 or 2 side sockets (1-phase) fitted on the base plate which makes connecting the wires easier. Switch sockets ZI are compliant with the standard: PN-EN 60439-3, PN-EN 60439-1

New devices are compliant with RoHS Directive 2002/95/EC which means that they do not contain the hazardous substances listed in the Directive.

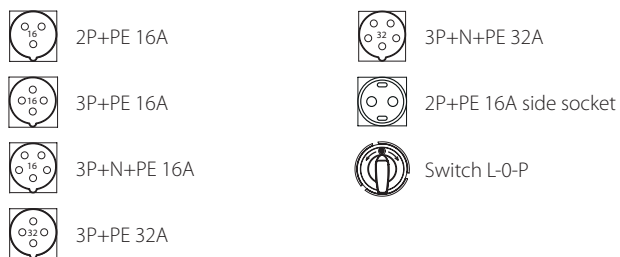
Electrical diagram



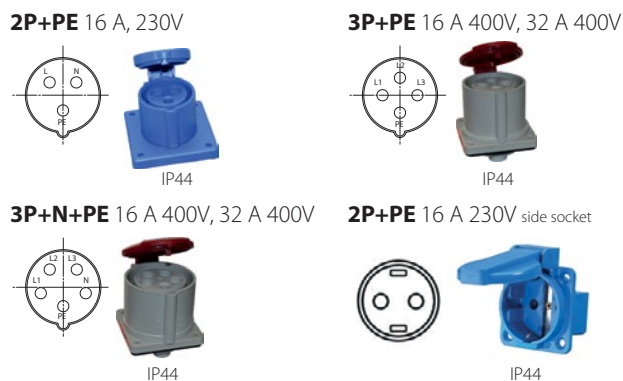
Dimensions



Elements of the assemblies



Pin layout of the sockets



Assemblies

