

Switch socket ZI3 without protection



IP44

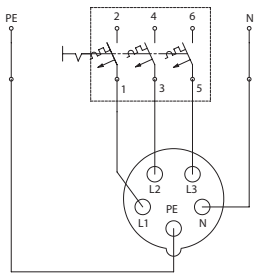
IP67

Product description

The units have modern and ergonomic design. Each unit is fitted with a main socket 16 or 32 A (depending on configuration) and additional 1 or 2 side sockets (1-phase) fitted on the base plate which makes connecting the wires easier. The complete device has protection level IP44 or IP65/IP67 (without side socket). The sockets are powered via a terminal strip. Switch sockets ZI are compliant with the standard: PN-EN 60439-3, PN-EN 60439-1

New devices are compliant with RoHS Directive 2002/95/EC which means that they do not contain the hazardous substances listed in the Directive.

Electrical diagram



Ordering code

ZI

Assembly number of the switch socket

32\X111, 36\X111, 32\X211, 36\X211
 32\X571, 36\X571, 33\X111, 33\X211
 33\X581, 34\X111, 34\X211, 34\X511
 32\X341, 36\X341, 32\X441, 36\X441
 35\X341, 35\X342, 35\X441, 35\X442

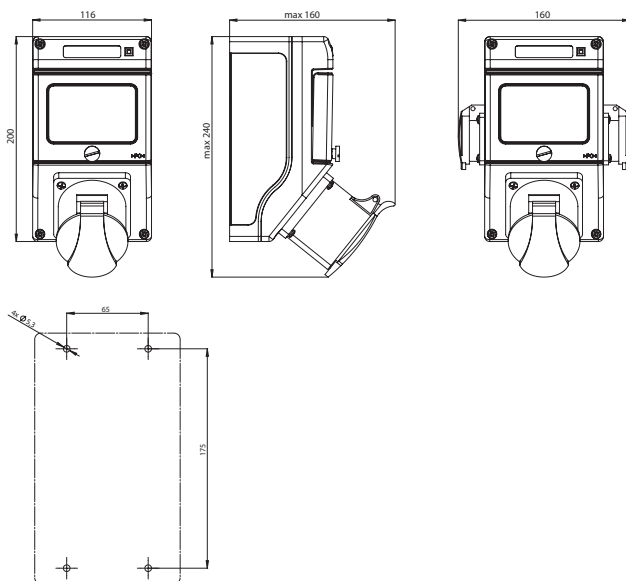
Note:

1-phase side socket is installed on the right by default. It is possible to order the side socket on the left. In order to do that, please add "L", e.g. ZI33\X111L

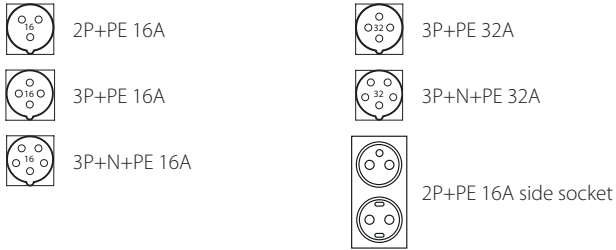
Technical data

Rated insulation voltage U_i	500 V
Rated continuous current I_n	max 32 A
Rated frequency	50-60 Hz
Rated switching voltage U_e	230/400 V
Rated withstand impulse voltage U_{imp}	6 kV
Wire gauge	2.5...6 mm ²
Protection level	IP44; IP65/IP67
Protection class	II
Weight	0.8...1.2 kg
Gland type	M25×1,5 (16 A) M32×1,5 (32 A)

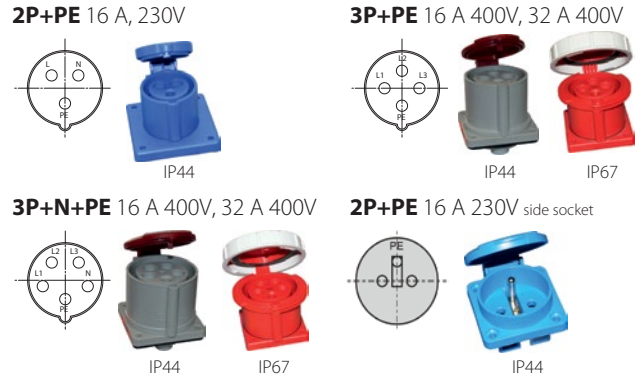
Dimensions



Elements of the assemblies



Pin layout of the sockets



Assemblies

