

Switch socket ZI3 with miniature circuit breaker (SCHUKO)



IP44

Ordering code

ZI -S

Assembly number of the switch socket

33\R111, 33\R211, 33\R581, 34\R111
34\R211, 34\R511, 35\R341, 35\R342
35\R441, 35\R442

Note:

1-phase side socket is installed on the right by default. It is possible to order the side socket on the left. In order to do that, please add "L", e.g. ZI3R111L-S

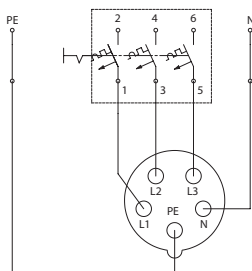
Technical data

Rated insulation voltage U_i	500 V
Rated continuous current I_u	max 32 A
Rated frequency	50-60 Hz
Rated switching voltage U_e	230/400 V
Rated withstand impulse voltage U_{imp}	6 kV
Wire gauge	2.5...6 mm ²
Protection level	IP44
Protection class	II
Weight	0.8...1.2 kg
Gland type	M25x1,5 (16 A) M32x1,5 (32 A)

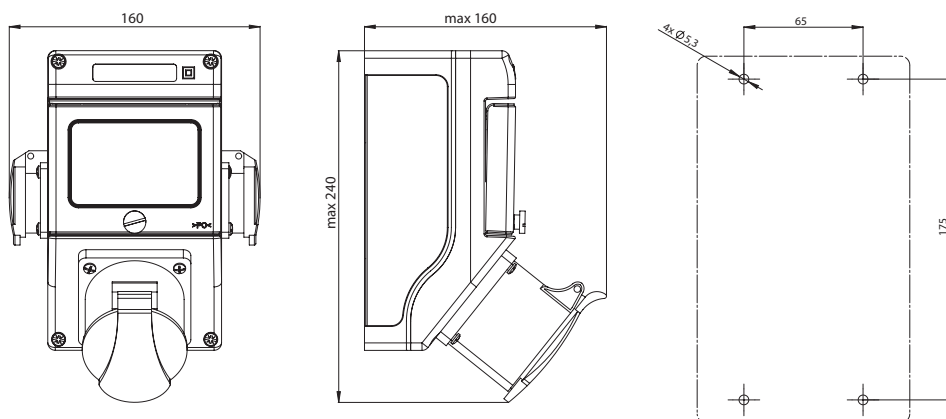
Product description

The units have modern and ergonomic design. Each unit is fitted with a main socket 16 or 32 A (depending on configuration) and additional 1 or 2 side sockets (1-phase) fitted on the base plate which makes connecting the wires easier. The sockets are powered via an overcurrent circuit breaker. Switch sockets ZI are compliant with the standard: PN-EN 60439-3, PN-EN 60439-1. New devices are compliant with RoHS Directive 2002/95/EC which means that they do not contain the hazardous substances listed in the Directive.

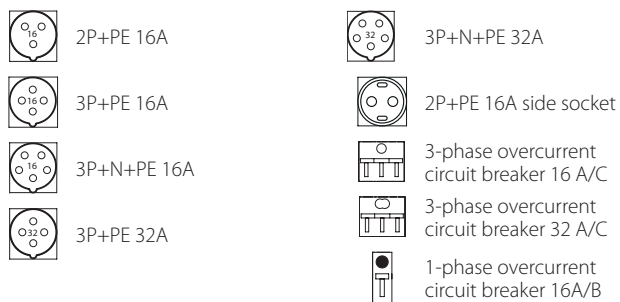
Electrical diagram



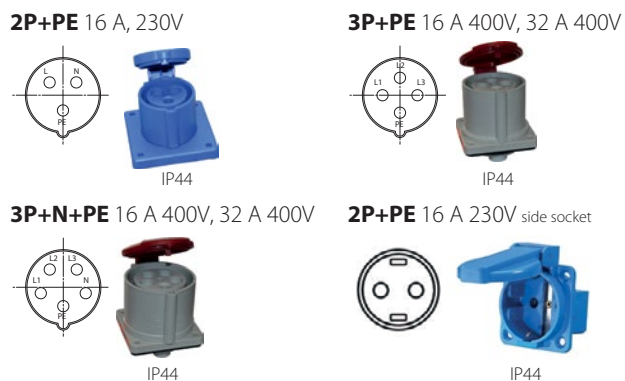
Dimensions



Elements of the assemblies



Pin layout of the sockets



Assemblies

