

## Motor starter RZ03



### Product description

This protecting and starting switch socket is mainly intended for non-industry customers to install 3-phase motors. Apart from thermal protection, the device is sensitive to phase failures. Damages caused by voltage unbalancing are quite common and the repair costs may be very high. The unit is fitted with On/Off pushbuttons and an easy accessible emergency button what conforms to new safety regulations. In case the unit controls more than one workstation, additional emergency pushbuttons can be fitted.

Thermal ranges of standard assemblies are given in **Ordering codes**. In individual orders use the thermal relays as shown in the table **Types of thermal relays**.

Motor starters are compliant with the standard: PN-EN 60439-1.

### Types of thermal relays

L.p.	Code	Range [A]
1	<b>LR2-K0301</b>	0,11...0,16
2	<b>LR2-K0302</b>	0,16...0,23
3	<b>LR2-K0303</b>	0,23...0,36
4	<b>LR2-K0304</b>	0,36...0,54
5	<b>LR2-K0305</b>	0,54...0,80
6	<b>LR2-K0306</b>	0,80...1,20
7	<b>LR2-K0307</b>	1,20...1,80
8	<b>LR2-K0308</b>	1,80...2,60
9	<b>LR2-K0310</b>	2,60...3,70
10	<b>LR2-K0312</b>	3,70...5,50
11	<b>LR2-K0314</b>	5,50...8,00
12	<b>LR2-K0316</b>	8,00...11,50
13	<b>LR2-K0321</b>	10,00...14,00
14	<b>LR2-K0322</b>	12,00...18,00

### Ordering code

RZ 03 \   20

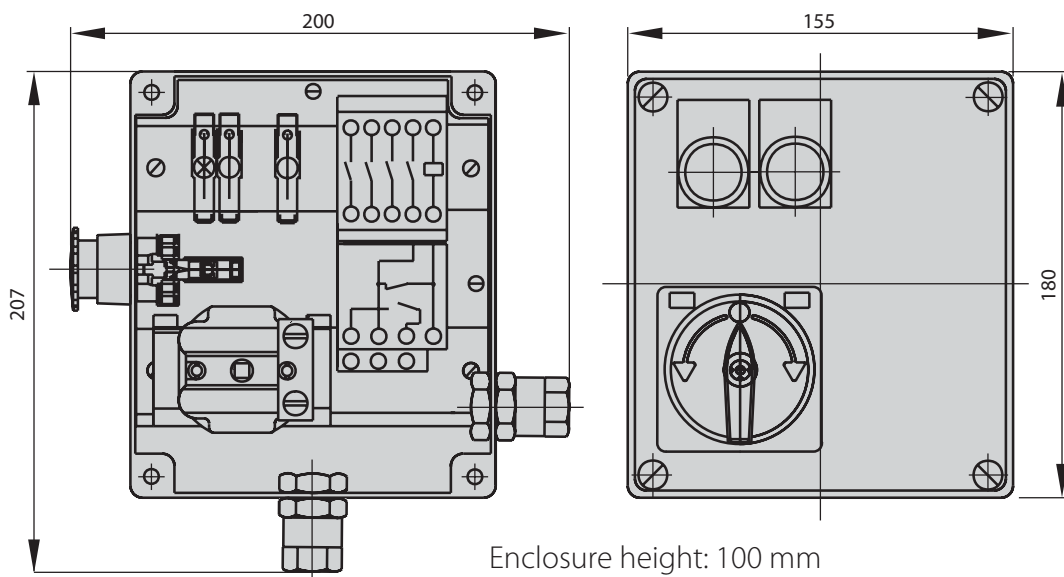
03	gland	Accessories type	20	Accessories M25x1.5
R	0-I	Function of the switch		
L	L-0-R			
1		Accessories		LK16R 16 A, LC1-K0610 2.2 kW, (range 3.7-5.5 A)
2				LK16R 16 A, LC1-K0910 4.0 kW, (range 8-11.5 A)
3				LK16R 16 A, LC1-K1210 5.5 kW, (range 10-14 A)
4				LK16R 25 A, LC1-K1610 7.5 kW, (range 12-18 A)

Assemblies RZ03-R420, RZ03-L420 are fitted with gland M32x1,5.

### Technical data

Rated insulation voltage $U_i$	500 V
Rated continuous current $I_u$	max 14/18 A
Rated frequency	50-60 Hz
Rated switching voltage $U_e$	230/400 V
Rated withstand impulse voltage $U_{imp}$	6 kV
Wire gauge	2.5...4 mm <sup>2</sup>
Protection level	IP55
Protection class	II

## Dimensions



Enclosure height: 100 mm  
Total height of the assembly: 132 mm