

Switch sockets GB02



Ordering code

GB02		
		Protection level
	1	IP44
	2	IP67
		Assembly number of the switch socket
	R51, R11, R21, R34	
	R44	

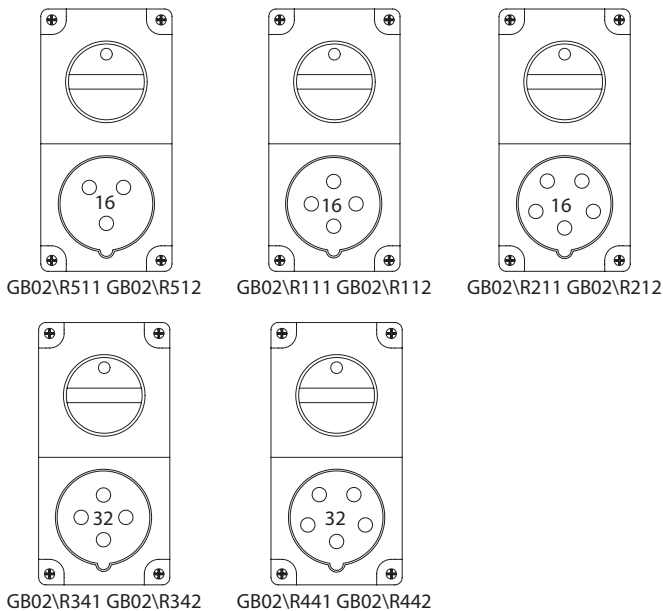
Product description

GB units are intended for industry applications. Current: 16 and 32 A. Protection level: IP44, IP67. Mechanically interlocked: the plug cannot be withdrawn when the switch is ON and the unit cannot be switched ON unless the plug is fully inserted. Padlockable. Large mounting space. The housing is made of shock-resistant composition of polycarbonate and ABS.

GB02 - bottom part symmetrical.

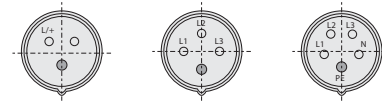
GB units are compliant with the standards: PN-EN 60439-3, PN-EN 60439-1.

Assemblies



Pin layout of the sockets

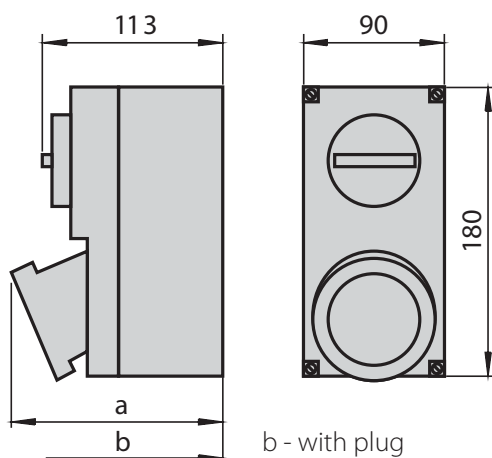
2P+PE	3P+PE	3P+N+PE
16A 230V	16A 400V 32A 400V	16A 230/400V 32A 230/400V



Elements of the assemblies



Dimensions



Assembly	IP44		IP67	
	a	b	a	b
R51	122	207	125	213
R11	123	212	126	216
R21	126	232	129	222
R34	131	251	135	244
R44	134	256	137	245